

Series HEAT PUMP PEH-5,6,8,10,16,20GA(K)

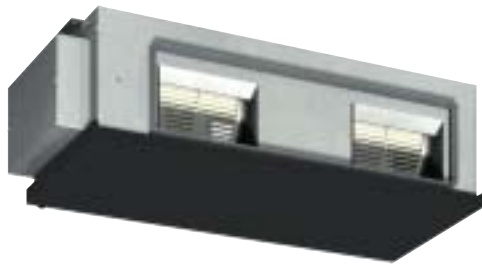


50
Hz

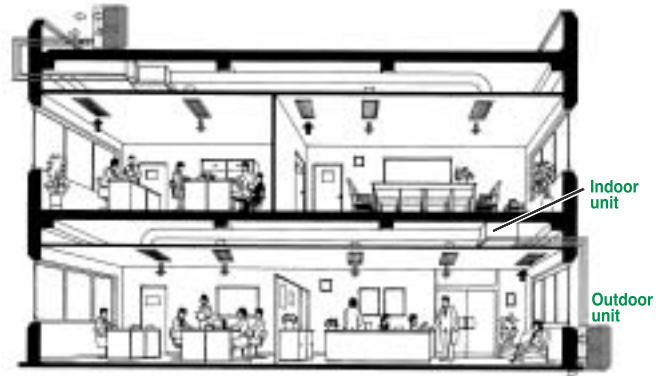
[FEATURES]

Wide range of capacities (5HP-20HP)

Flexible duct design by using high static pressure specifications (150Pa option)



PEH-GA(K)



PUH-YK(S)A

Highly-functional remote controller

Weekly timer and Multi-language display enables Comfort control and Ease of Use.



PAR-21MAA



SPECIFICATIONS

(50Hz)

Model name		PEH-5GAK	PEH-6GAK	PEH-8GA	PEH-10GA	PEH-16GA	PEH-20GA	
Power source		1N~ 220/230/240V 50Hz			3N~ 380/400/415V 50Hz			
Cooling *3	Capacity	kW	12.1	15.7	21.6	26.7	43.2	53.4
		kcal/h	10,400	13,400	18,500	22,900	37,100	45,900
		Btu/h	41,000	54,000	74,000	91,000	147,000	182,000
	Sensible Capacity	kW	9.9	12.9	16.0	20.0	29.8	36.8
		kcal/h	8,500	11,000	13,700	17,200	25,600	31,600
		Btu/h	34,000	44,000	55,000	68,000	102,000	126,000
Power input	kW	0.87		1.00	1.12 (-SP 1.18)	1.55	2.84	
Current input	A	4.0		1.8 (-SP 2.0)	2.0 (-SP 2.3)	3.8	5.4	
Temperature range of cooling	Indoor	W.B.	15.5°CWB-22.5°CWB		15°CWB-24°CWB			
	Outdoor	D.B.	-5°CDB-46°CDB		-5°CDB-46°CDB (-5°CDB-43°CDB with PAC-SG208SG-E)			
Heating	Capacity	kW	15.5	18.5	24.6	30.9	49.2	61.8
		kcal/h	13,300	15,900	21,100	26,500	42,300	53,100
		Btu/h	53,000	63,000	84,000	105,000	168,000	211,000
	Power input	kW	0.87		1.00	1.12 (-SP 1.15)	1.55	2.84
	Current input	A	4.0		1.8 (-SP 1.9)	2.0 (-SP 2.2)	3.8	5.4
Temperature range of heating	Indoor	D.B.	20°CDB-27°CDB		15°CDB-27°CDB			
	Out door	W.B.	-9.5°CWB-15.5°CWB		-15°CWB-15°CWB			
Capacity control		0 / 100			0 / 50 / 100			
Fan	Type x Quantity	Sirocco fan x 1 (-MF Metal fan)			Sirocco fan x 2 (-MF Metal fan)		Sirocco fan x 2 (Metal fan)	
	Air flow rate (Hi-Lo)	CMM	50-40	55-44	65-52	80-64	120	160
	External static pressure	Pa	100 (-SP 150)				150	
	Motor output	kW	0.46 (-SP 0.54)		0.75 (-SP 0.77)		1.3	1.8
External finish		Galvanized steel						
External dimension	H x W x D	mm		400 x 1,180 x 634	400 x 1,400 x 634	400 x 1,600 x 634	595 x 1,947 x 764	
Heat exchanger type		Cross fin						
Air filter		Option						
Refrigerant piping diameter Liquid / Gas	mm	ø9.52 / ø19.05		ø15.88 / ø25.4	ø15.88 / ø28.6	(ø15.88 / ø25.4) x 2	(ø15.88 / ø28.6) x 2	
Drain piping dimension	mm	25.4 (R1)						
Noise level *4	dB(A)	46-42 (-SP 48-45)	49-45 (-SP 51-48)		50-46 (-SP 52-49)	52	53	
Net weight	kg	56	59	70	77	130	133	
Remote controller		PAR-21MAA (attached)						
Outdoor unit/Model name		PUH-5YKSA	PUH-6YKSA	PUH-8YKA	PUH-10YKA	PUH-8YKA x 2	PUH-10YKA x 2	
Power source		3N~ 380/400/415V 50Hz						
Cooling *1	Power input	kW	4.17	4.74	6.85	9.14	6.85 x 2	9.14 x 2
	Current input	A	8.0	8.5	13.6	16.8	13.6 x 2	16.8 x 2
	Starting current(50Hz)	A	53	74	96.0	126.0	109.6	142.8
Heating *2	Power input	kW	4.35	4.69	6.68	8.52	6.68 x 2	8.52 x 2
	Current input	A	8.2	8.3	13.2	16.3	13.2 x 2	16.3 x 2
	Starting current(50Hz)	A	53	74	96.0	126.0	109.2	142.3
Refrigerant	Type	R22						
	Original charge	kg	5.4	5.0	5.5	6.0	5.5 x 2	6.0 x 2
Refrigerant control		Capillary						
Fan	Type x Quantity	Propeller fan x 2				(Propeller fan x 2) x 2		
	Air flow rate	CMM	95	100	140	140 x 2		
	Motor output	kW	0.085 x 2	0.1 x 2	0.15 x 2		(0.15 x 2) x 2	
Compressor	Type	Hermetically closed scroll						
	Motor output	kW	3.5	4.0	5.6	7.5	5.6 x 2	7.5 x 2
	Lubricant	SONTEX 200LT						
	Crankcase heater	kW	0.032 / 0.035 / 0.038		0.09		0.09 x 2	
External finish		Polyester resin coating						
Color		Munsell 3Y7.8/1.1						
External dimension	H x W x D	mm		1,258 x 970 x 345 + 24	1,480 x 1,047 x 547	(1,480 x 1,047 x 547) x 2		
Heat exchanger type		Cross fin						
Refrigerant piping diameter Liquid / Gas	mm	ø9.52 / ø19.05		ø15.88 / ø25.4	ø15.88 / ø28.6	(ø15.88 / ø25.4) x 2	(ø15.88 / ø28.6) x 2	
Noise level *5	Cooling	dB(A)	55	56	61			
	Heating	dB(A)	55	56	63			
Net weight	kg	114	117	200	208	200 x 2	208 x 2	
Protection devices		High pressure / discharge thermostat / thermal relay Internal inherent motor protection of COMP Internal inherent motor protection			High pressure / Low pressure / Discharge thermistor Anti phase / OCR / Internal inherent motor protection of COMP Internal inherent motor protection			
Defrosting method		Hot gas reverse						

Note 1. Nominal cooling conditions Indoor: 27°CDB/19°CWB Outdoor: 35°CDB Pipe length: 5m (5.6°F) , 7.5m (8-20°F)
 2. Nominal heating conditions Indoor: 20°CDB Outdoor: 7°CDB/6°CWB Pipe length: 5m (5.6°F) , 7.5m (8-20°F)
 3. Cooling capacity is gross capacity which do not include a deduction for evaporator fan motor heat.
 4. Measured at 1.5m from the unit's bottom in an anechoic room.
 5. Measured at 1m from the unit in an anechoic room.

Optional parts

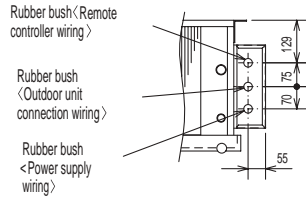
Item	Special model	Optional part	Applicable model
High-static motor	-SP model		PEH-5/6/8/10GA(K)
Metal fan	-MF model		PEH-5/6/8/10GA(K)
Anti-corrosion fin	-BS model		PUH-8/10YKA
Air filter		PAC-KE206AF	PEH-5/6GAK
		PAC-KE208AF	PEH-8GA
		PAC-KE210AF	PEH-10GA
		PAC-KE220AF	PEH-16/20GA
		PAC-SK209PG-E	PUH-8/10YKA
Pressure gauge		PAC-292SG-D	PUH-5/6YKSA
Air outlet guide		PAC-SG208SG-E	PUH-8/10YKA
Air outlet guide (2pcs/pack)		MAC-399IF-E	PEH-5/6GAK
M-NET interface		PAC-SF80MA-E	PUH-8/10YKA
M-NET converter		PAC-SA47DS-E	PUH-5/6YKSA
Drain socket			

OUTLINE DIMENSIONS

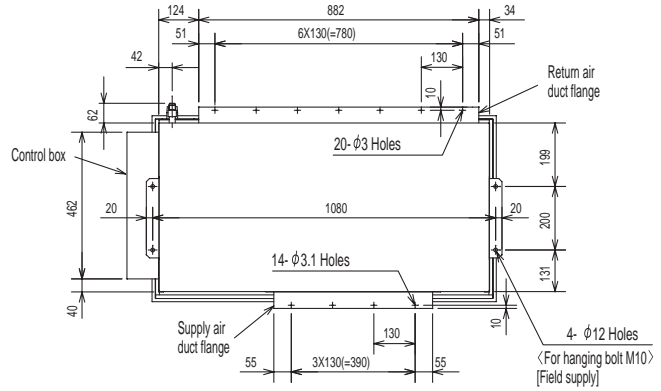
PEH-5,6

<Accessory>

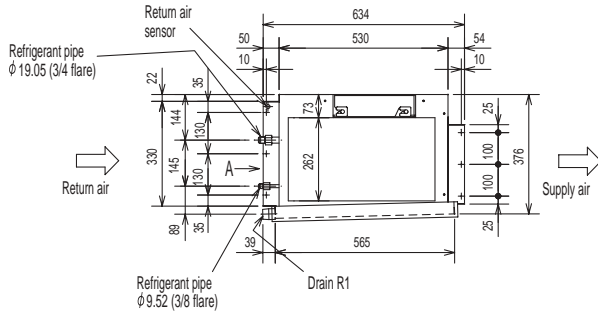
- Pipe cover 2pcs.
(For dew condensation prevention of local piping and unit connection.)
- Remote controller 1pc.



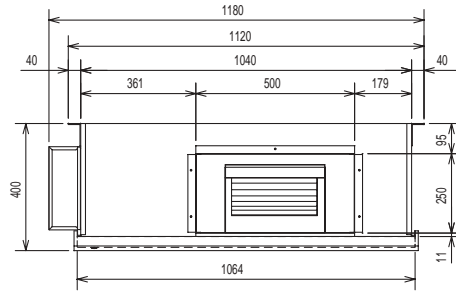
A



Top view



Left side view

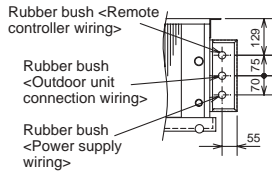


Front view

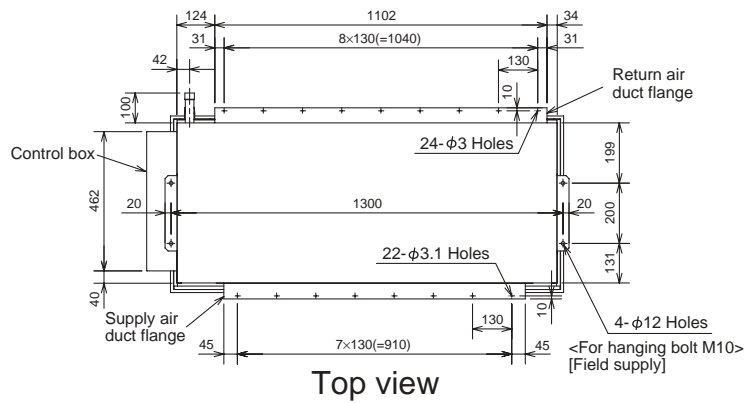
PEH-8

<Accessory>

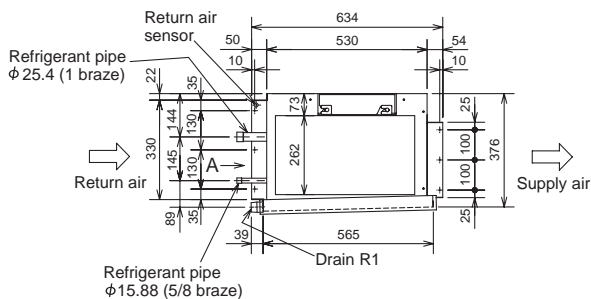
- Pipe cover 2pcs.
(For dew condensation prevention of local piping and unit connection.)
- Remote controller 1pcs.



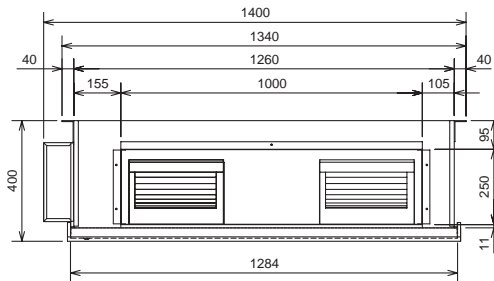
A



Top view



Left side view

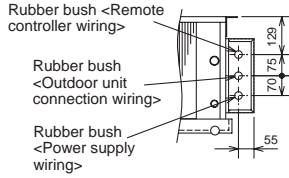


Front view

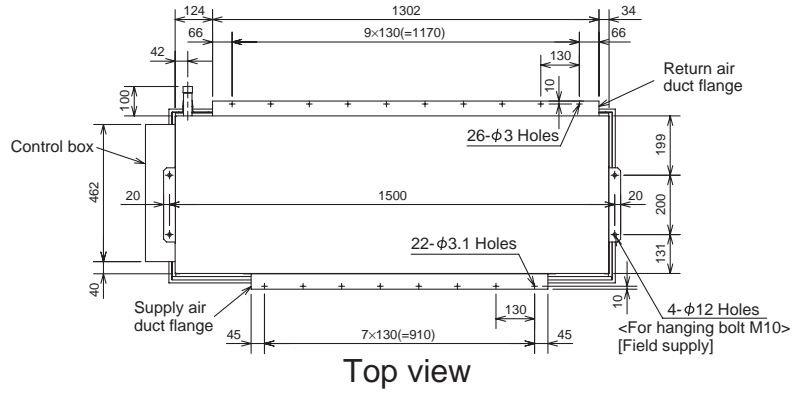
OUTLINE DIMENSIONS

PEH-10

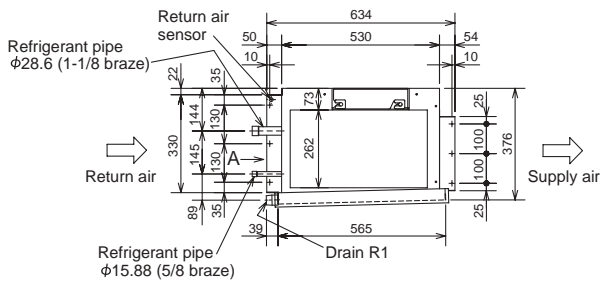
- <Accessory>
 · Pipe cover.....2pcs.
 (For dew condensation prevention of local piping and unit connection.)
 · Remote controller.....1pc.



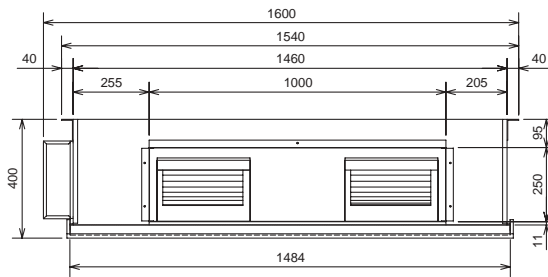
A



Top view



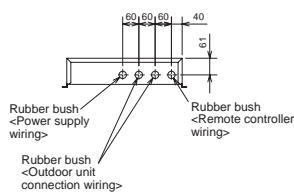
Left side view



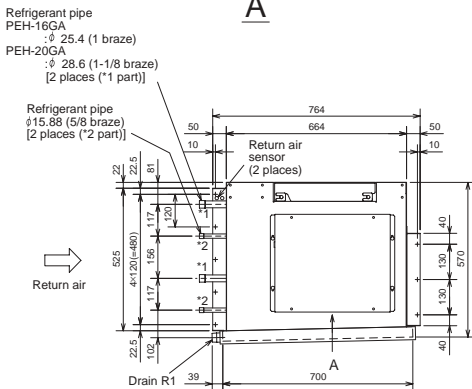
Front view

PEH-16,20

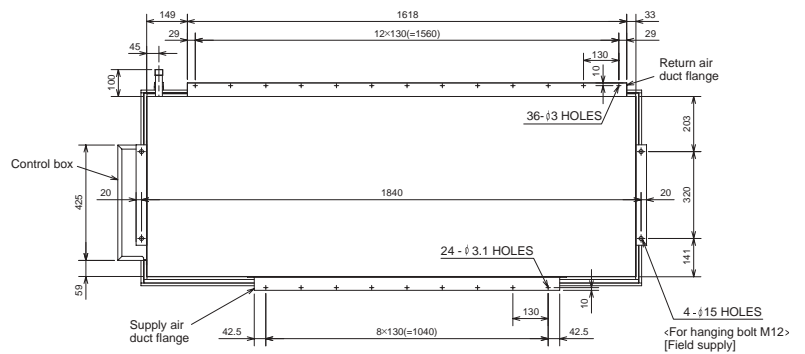
- <Accessory>
 · Pipe cover.....4pcs.
 (For dew condensation prevention of local piping and unit connection.)
 · Remote controller.....1pc.



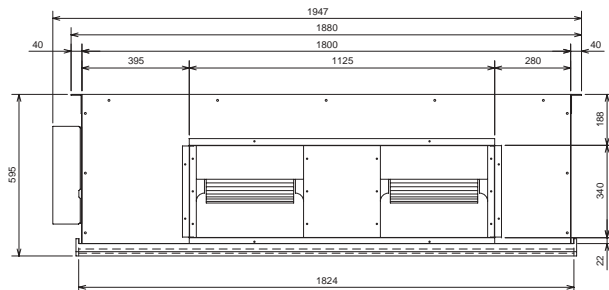
A



Left side view



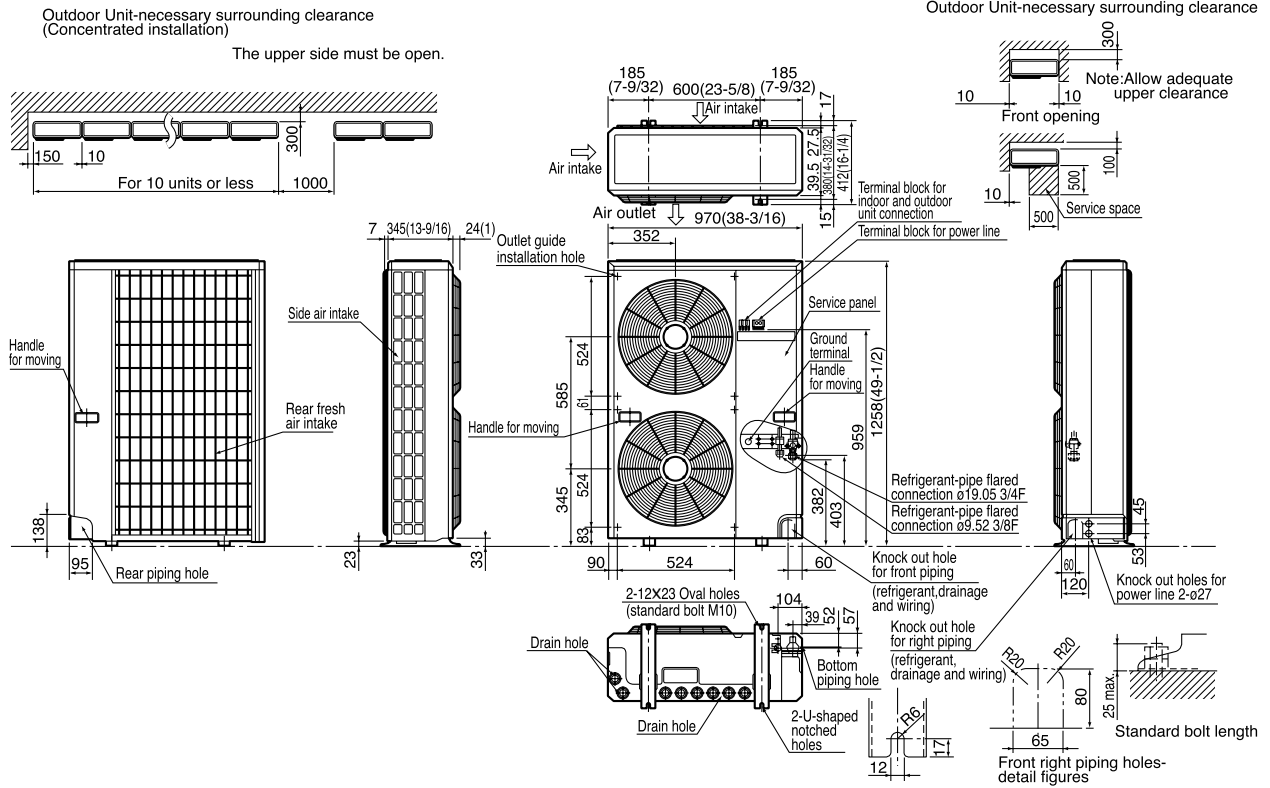
Top view



Front view

OUTLINE DIMENSIONS

PUH-5,6



PUH-8,10

- <Accessory>
 -Conduit mounting plate
 (Painted the same color as the unit body)
 a) $\phi 27$1pc.
 b) $\phi 34$1pc.
 -Tapping screw 4512.....4pcs.
 -Connection pipe.....1pc.
 -Packing.....1pc

Note 1. It is possible to change to $\phi 27$ or $\phi 34$ by selecting the conduit mounting plate a, b.

