

# Air Conditioning

## Product Information

**MSZ-DM35VA Inverter Heat Pump**  
Classic Wall Mounted System

Making a  
World of  
Difference

M series



Mitsubishi Electric's range of classic, flat panel wall mounted models make use of inverter technology, whilst providing extremely good value for money, costing approximately 20% less than the MSZ-SF equivalent.

### Key Features

- Swing Vane Mode with Auto Vane Shutter
- Infra-red remote controller
- Econo Cool - allows set temperature to be raised by 2°C without any loss of comfort and a 20% gain in energy efficiency
- Auto-Restart
- Quiet operation
- Silver-Ionised air purifying filter as standard
- Replace Technology available
- CN105 Connector



Air Conditioning | Heating  
Ventilation | Controls

# Air Conditioning

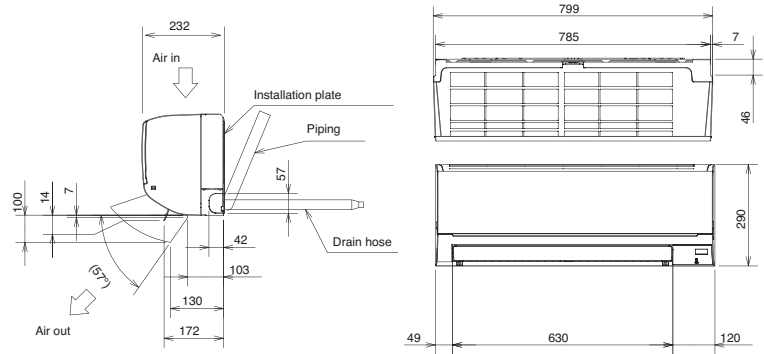
## Product Information

### MSZ-DM35VA Inverter Heat Pump Classic Wall Mounted System

Making a  
World of  
Difference

MSZ-DM - INDOOR UNIT		MSZ-DM35VA
CAPACITY (kW)	Heating (nominal)	3.6 (0.9-4.8)
	Cooling (nominal)	3.1 (1.0-3.7)
	Heating (UK)	2.99 (0.74-3.98)
	Cooling (UK)	3.12 (0.99-3.67)
SHF (nominal & UK)		0.87
COP / EER (nominal)		3.69 / 3.04
SCOP / SEER (BS EN14825)		4.3 / 5.7
ErP ENERGY EFFICIENCY CLASS Heating/Cooling		A+ / A+
AIRFLOW (l/s)	Heating/Cooling - Lo-Mi-Hi-Sup-Hi	58-92-125-172 / 63-95-130-182
PIPE SIZE mm (in)	Gas	9.52 (3/8")
	Liquid	6.35 (1/4")
SOUND PRESSURE LEVEL (dBA) Heating/Cooling - Lo-Mi-Hi-Sup-Hi		23-30-37-43 / 22-30-37-43
SOUND POWER LEVEL (dBA)		57
DIMENSIONS (mm) Width x Depth x Height		799 x 232 x 290
WEIGHT (kg)		9
ELECTRICAL SUPPLY		220-240v, 50Hz
FUSE RATING (BS88) - HRC (A)		10
INTERCONNECTING CABLE No. CORES		4

## DIMENSIONS



MUZ-DM - OUTDOOR UNIT		MUZ-DM35VA
SOUND PRESSURE LEVEL (dBA)	Heating/Cooling	51 / 51
SOUND POWER LEVEL (dBA)	Cooling	64
WEIGHT (kg)		25
DIMENSIONS (mm) Width x Depth x Height		699 x 249 x 538
ELECTRICAL SUPPLY		Fed by Indoor Unit
PHASE		Single
SYSTEM POWER INPUT (kW)	Heating/Cooling (nominal)	0.975 / 1.020
	Heating/Cooling (UK)	0.88 / 0.81
STARTING CURRENT (A)		4.8
SYSTEM RUNNING CURRENT (A) Heating/Cooling [MAX]		4.7 / 4.8 [6.5]
FUSE RATING (BS88) - HRC (A)		10
MAINS CABLE No. CORES		3
MAX PIPE LENGTH (m)		20
MAX HEIGHT DIFFERENCE (m)		12
CHARGE R410A (kg) - 7m		0.72



Telephone: 01707 282880

email: [air.conditioning@meuk.mee.com](mailto:air.conditioning@meuk.mee.com) web: [www.airconditioning.mitsubishielectric.co.uk](http://www.airconditioning.mitsubishielectric.co.uk)

UNITED KINGDOM Mitsubishi Electric Europe Living Environmental Systems Division  
Travellers Lane, Hatfield, Hertfordshire, AL10 8XB, England General Enquiries Telephone: 01707 282880 Fax: 01707 278881

IRELAND Mitsubishi Electric Europe Westgate Business Park, Ballymount, Dublin 24, Ireland  
Telephone: Dublin (01) 419 8800 Fax: Dublin (01) 419 8890 International code: (003531)

Country of origin: United Kingdom - Japan - Thailand - Malaysia. ©Mitsubishi Electric Europe 2016. Mitsubishi and Mitsubishi Electric are trademarks of Mitsubishi Electric Europe B.V. The company reserves the right to make any variation in technical specification to the equipment described, or to withdraw or replace products without prior notification or public announcement. Mitsubishi Electric is constantly developing and improving its products. All descriptions, illustrations, drawings and specifications in this publication present only general particulars and shall not form part of any contract. All goods are supplied subject to the Company's General Conditions of Sale, a copy of which is available on request. Third-party product and brand names may be trademarks or registered trademarks of their respective owners.



**Note:** The fuse rating is for guidance only. Please refer to the relevant databook for detailed specification. It is the responsibility of a qualified electrician/electrical engineer to select the correct cable size and fuse rating based on current regulation and site specific conditions. Mitsubishi Electric's air conditioning and heat pump systems contain fluorinated greenhouse gases R410A, R407C and R134a.



[www.greengateway.mitsubishielectric.co.uk](http://www.greengateway.mitsubishielectric.co.uk)

Mitsubishi Electric UK's commitment  
to the environment



Follow us @meuk\_Jes  
Follow us @green\_gateway



Mitsubishi Electric  
Living Environmental Systems UK



mitsubishielectric2

Effective as of May 2016